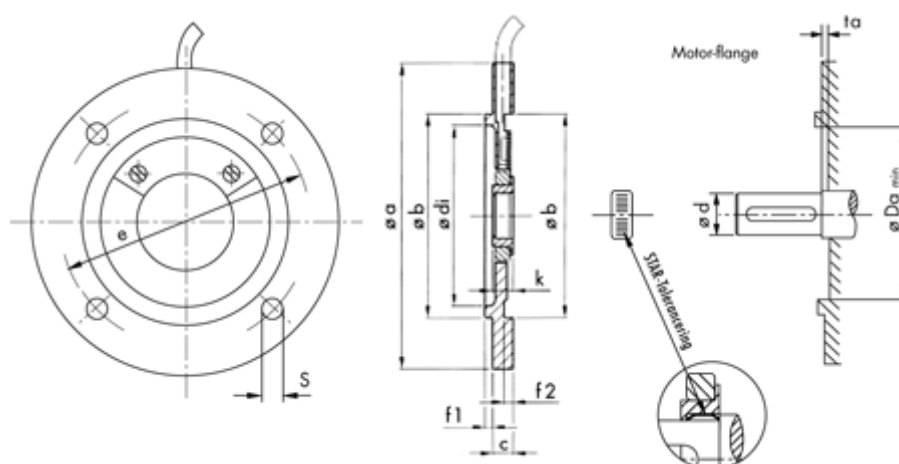


# Data Sheet



Article number: 7806142404320050  
Description: BEGE flangeencoder for 90B14  
MN140-24-432-5 (5m) 5-24V

## Measures



a = 140	f2 = 4.0
b = 95	k = 9
c = 9	s = 9
d = 24	ta = 3
Da = 60	
di = 85	
e = 115	
f1 = 3.5	